

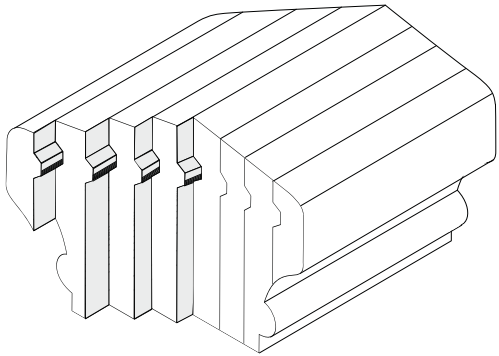


9469 South Bagley Park Road
West Jordan, Utah 84088
Phone: 801.280.2182 Fax: 801.280.2183

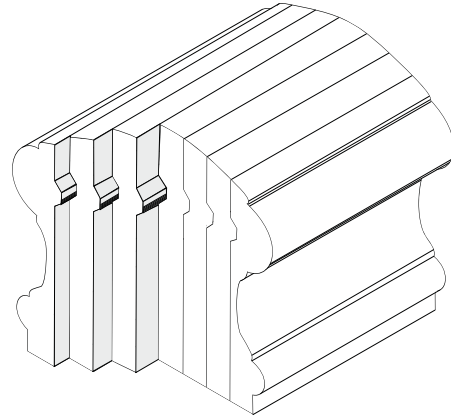
Bending Rail

Available in Oak, Maple and Alder.
Available in other species upon request.

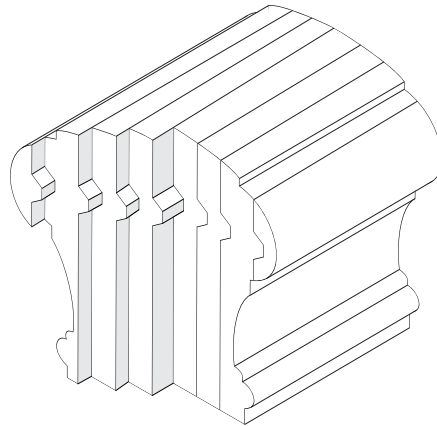
Our most common bending rail profiles are shown here. We manufacture additional profiles and offer our profiles in many different species. Our bending rail is manufactured to exacting specifications, with each slice being grain matched for a superior look. Bending mold is provided.



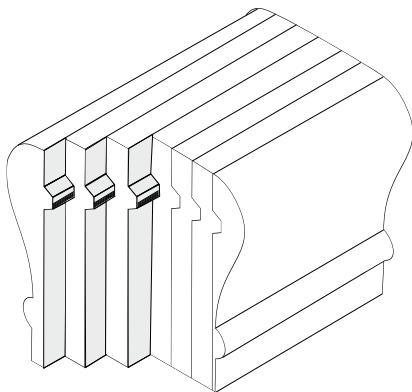
102-1



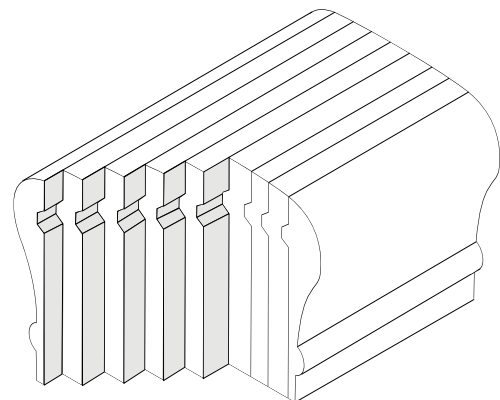
103-1



104-1



106-1



6210

*Most profiles are available in tight bending rail.

**Call for suggested rake and level radius limitations to which each profile can be bent.