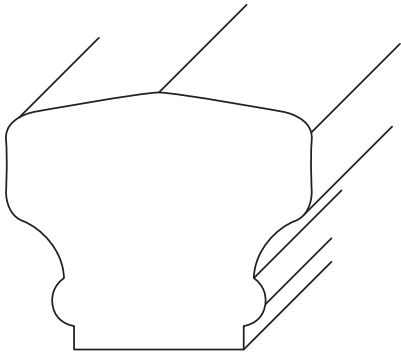




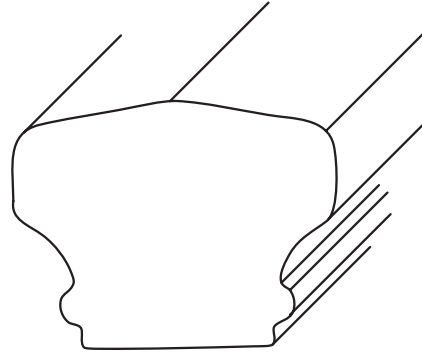
9469 South Bagley Park Road  
West Jordan, Utah 84088  
Phone: 801.280.2182 Fax: 801.280.2183

# Handrail

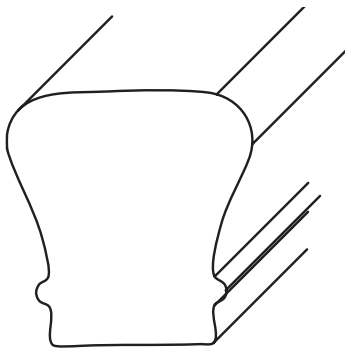
Available in Oak, Maple and Alder.  
Available in other species upon request.  
Other profiles available. 10' + lengths  
may have scarf joint in cap layer.



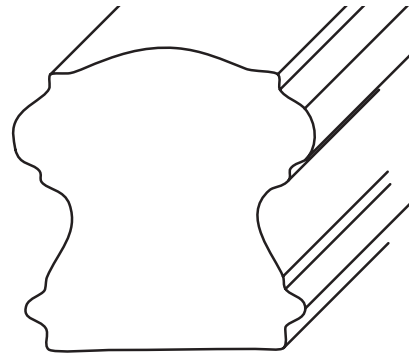
**101 - 1**  
2 1/2" (W) x 2 1/8" (H)



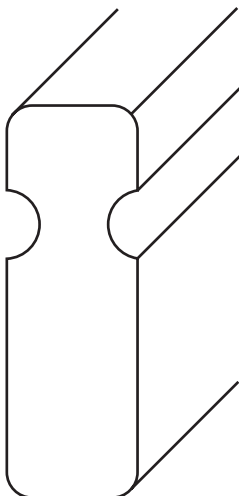
**102 - 1**  
2 3/4" (W) x 2 1/8" (H)  
(1 5/8" bottom)



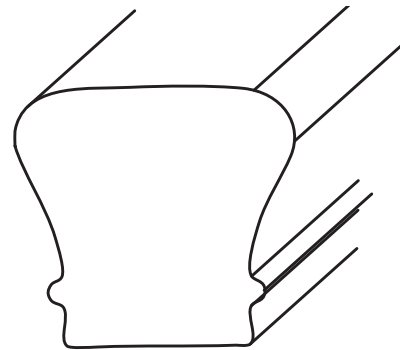
**106 - 1**  
2 1/4" (W) x 2 3/8" (H)  
(1 1/2" bottom)



**103 - 1**  
2 3/4" (W) x 2 3/4" (H)  
(2 1/4" bottom)



**559 - 5**  
(1 5/8" x 5")



**6210**  
2 5/8" (W) x 2 3/8" (H)

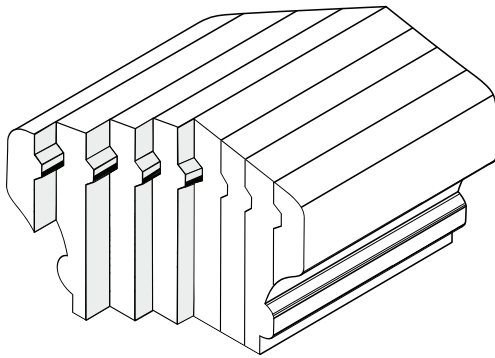


9469 South Bagley Park Road  
West Jordan, Utah 84088  
Phone: 801.280.2182 Fax: 801.280.2183

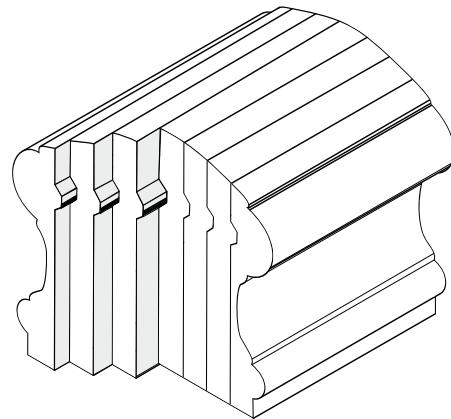
# Bending Rail

Available in Oak, Maple and Alder.  
Available in other species upon request.

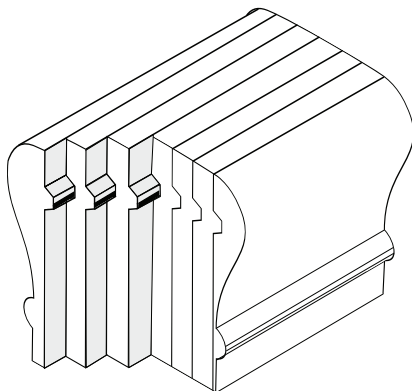
Our most common bending rail profiles are shown here. We manufacture additional profiles and offer our profiles in many different species. Our bending rail is manufactured to exacting specifications, with each slice being grain matched for a superior look. Bending mold is provided.



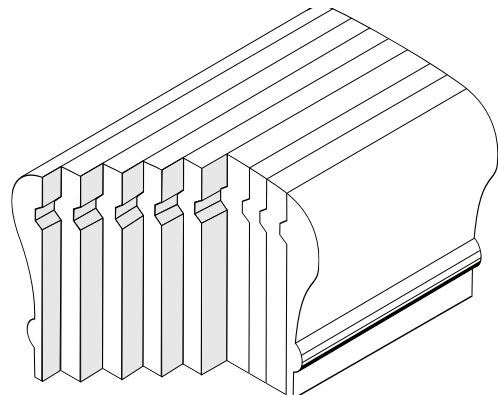
102-1



103-1



106-1



6210

\*Most profiles are available in tight bending rail.

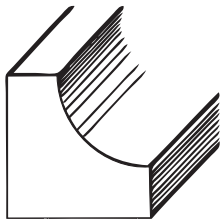
\*\*Call for suggested rake and level radius limitations to which each profile can be bent.



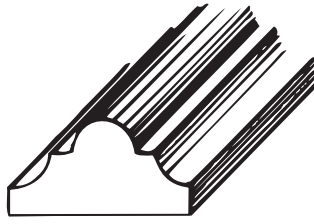
9469 South Bagley Park Road  
West Jordan, Utah 84088  
Phone: 801.280.2182 Fax: 801.280.2183

# Cornice, Casing, & Moulding

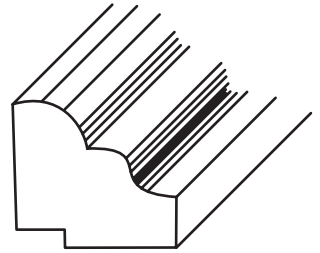
Available in Oak, Maple and Alder.  
Available in other species upon request.



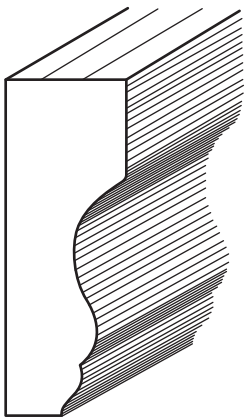
**SF 314**  
5/8" x 5/8"



**SF 503**  
3/8" x 3/4"



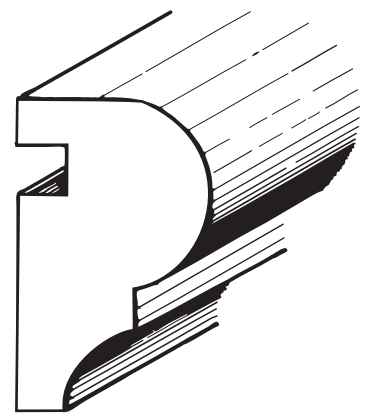
**SF 416**  
(3/4" x 3/4")



**CORNICE**  
5/8 X 1 3/4"



**SF 199**  
5/8" x 2 1/4"



**SF 106**  
1 5/8" x 1"

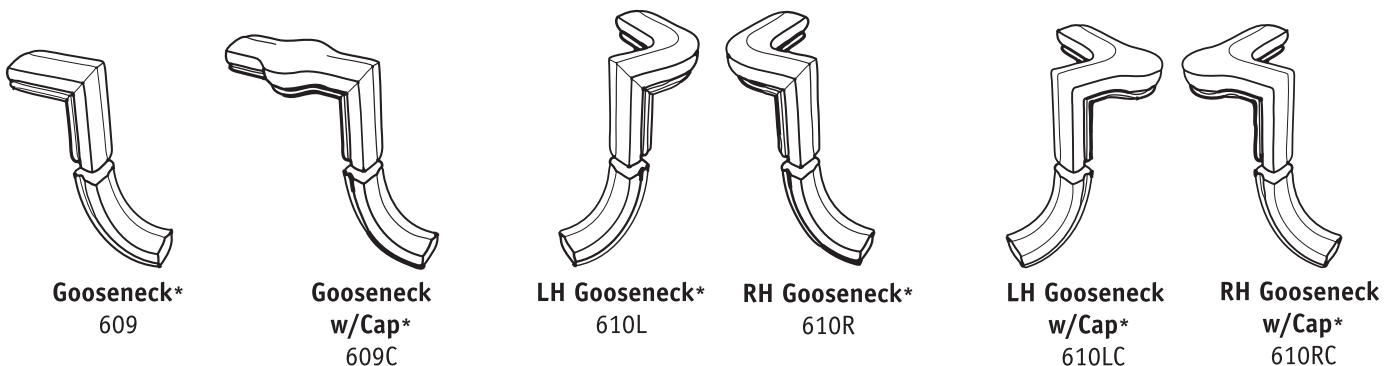
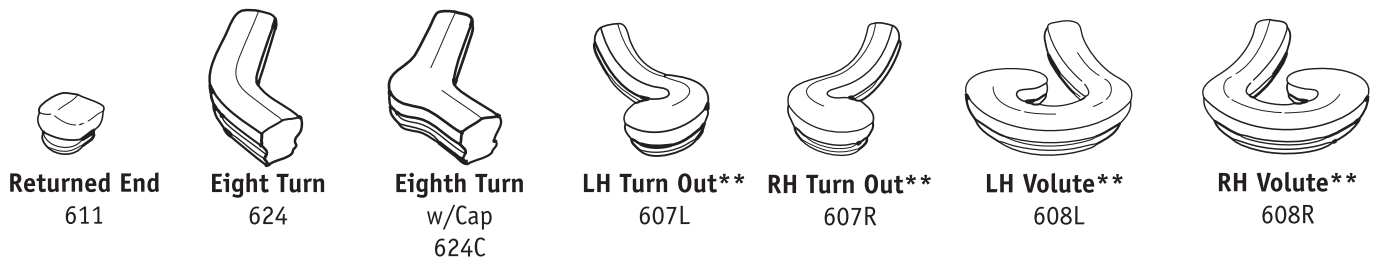
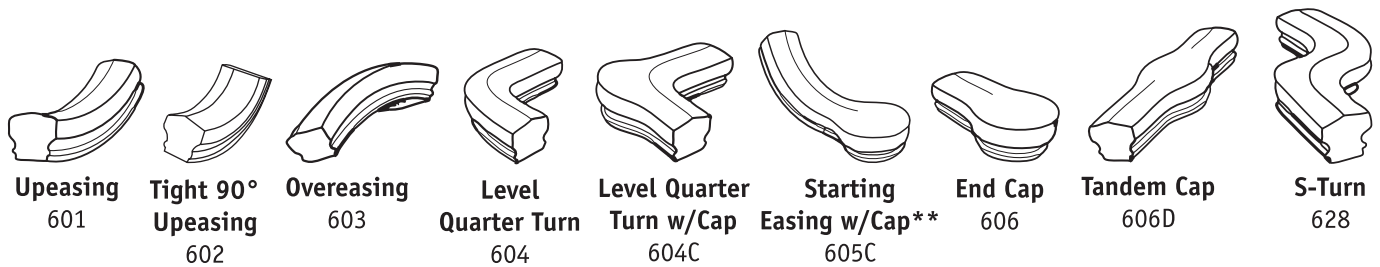
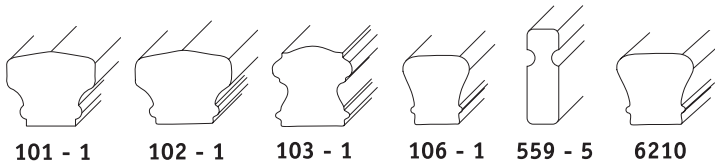


9469 South Bagley Park Road  
 West Jordan, Utah 84088  
 Phone: 801.280.2182 Fax: 801.280.2183

# Fittings

Available in Oak, Maple and Alder.  
 Available in other species upon request.  
 Additional profiles are available.

Fittings available in the following profiles (\*other profiles available upon request)



\*Easing not attached on any goosenecks.  
 \*\*Easing not attached unless specified.



9469 South Bagley Park Road  
 West Jordan, Utah 84088  
 Phone: 801.280.2182 Fax: 801.280.2183

# Shoe Rail, Treads, Rosettes, S4S, & Shoe Plate

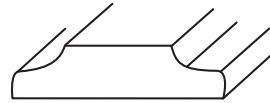
Available in Oak, Maple and Alder.  
 Available in other species upon request.



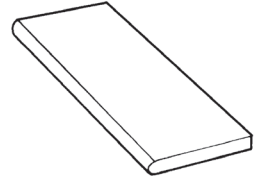
**Fillet**  
 (5/16" x 1 1/4") **Fillet 1.25**  
 (5/16" x 1 3/4") **Fillet 1.75**



**Shoe Rail**  
 (3/4" x 3" - plow 1 1/4") **403-OP**  
 (3/4" x 3.5" - plow 1 3/4") **403-1P**



**Non Plow Shoe Rail**  
 (3/4" x 3" - non plow) **403-0**  
 (3/4" x 3.5" - non plow) **403-1**



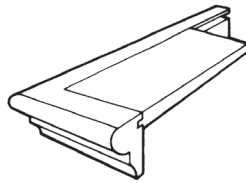
**Stair Tread**  
 1" x 11 1/2" **8070**  
 Treads are available Plain,  
 Return LH or RH, or Bullnose  
 Both Ends in the following  
 lengths: 36", 48", 54"



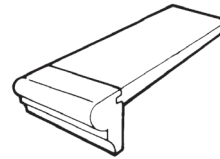
**False Riser 8076**  
 6" x 7 3/4"



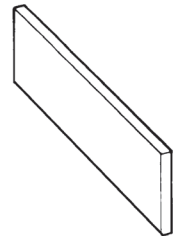
**False Starting Step**  
 radius bullnose **8310-2**



**Tread Caps**  
 RH (right hand) **8071R**  
 LH (left hand) **8071L**  
 6" x 11 5/8" (7" o.a.)

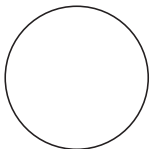


**Closed Tread Cap End**  
 6" x 11 5/8" **8072**

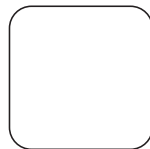


**Full Riser**  
 3/4" x 7 1/2" **Riser**  
 Risers are available in the  
 following lengths: 36", 48", 54"

## ACCESSORIES



**Round Rosette 5014**  
 1" x 4 1/4" diameter



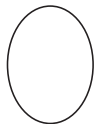
**Square Rosette 5034**  
 1" x 4"



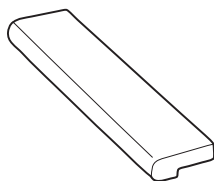
**Rectangle Rosette 5084**  
 1" x 4 1/2" x 6 1/4"



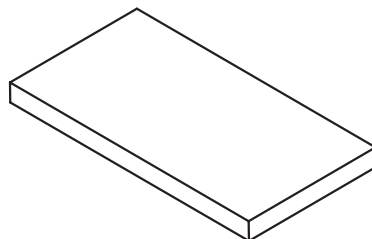
**Oval Rosette 5044**  
 1" x 4" x 5 1/2"



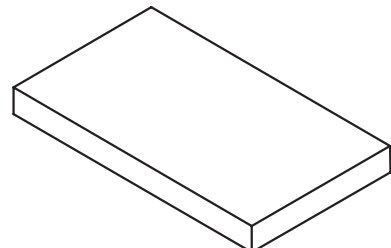
**Small Oval Rosette 5064**  
 1" x 3 1/2" x 6"



**Landing Tread 8090**  
 1" x 6"



**S4S**  
 3/4" x 4" Apron **604**  
 3/4" x 5 1/2" **605**  
 3/4" x 7 1/4" **607**  
 3/4" x 11 1/4" Skirt **611**



**Shoe Plate**  
 1" x 6" **406**, 1" x 7.5" **475**, 1" x 8" **408**  
**Bending Shoe Plate**  
 1" x 6" **406B**, 1" x 7.5" **475B**, 1" x 8" **408B**



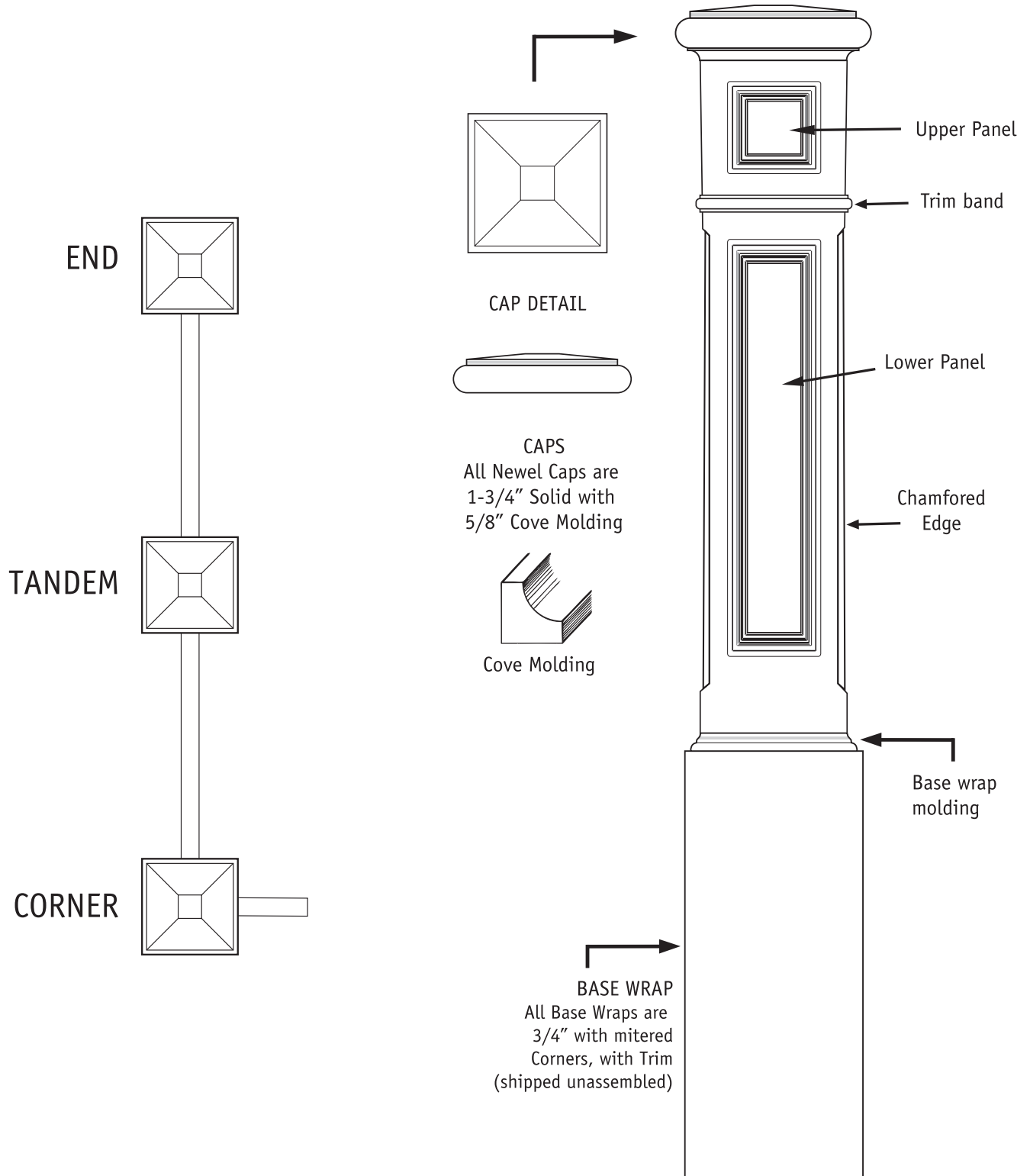
9469 South Bagley Park Road  
 West Jordan, Utah 84088  
 Phone: 801.280.2182 Fax: 801.280.2183

# Box Newels

Available in Oak, Maple and Alder.  
 Available in other species and sizes upon request.

Hollow Posts Come In 4 3/4", 5", 5 1/2", and 6"  
 Solid Posts Come In 3", 3 1/2", 4", and 4 1/2"

**This is a sample of the options  
 a newel can come with.**

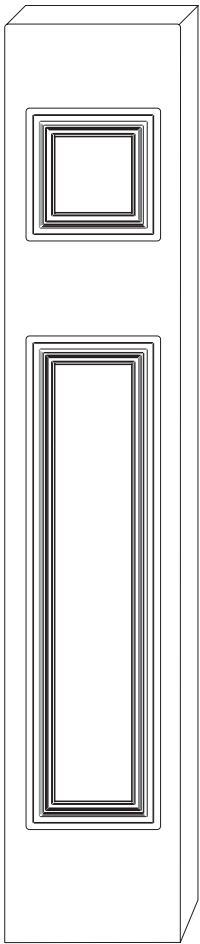




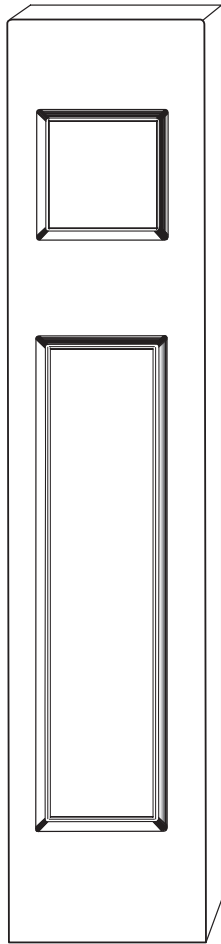
9469 South Bagley Park Road  
West Jordan, Utah 84088  
Phone: 801.280.2182 Fax: 801.280.2183

Available in Oak, Maple and Alder.  
Available in other species upon request.

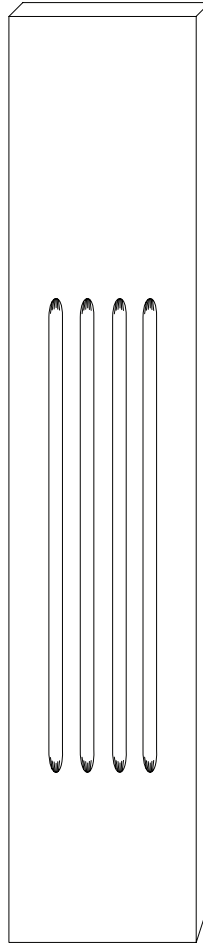
## Newel panels available in the following styles.



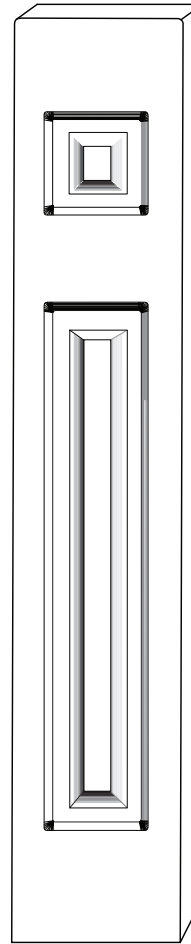
**Plant-on Panel**



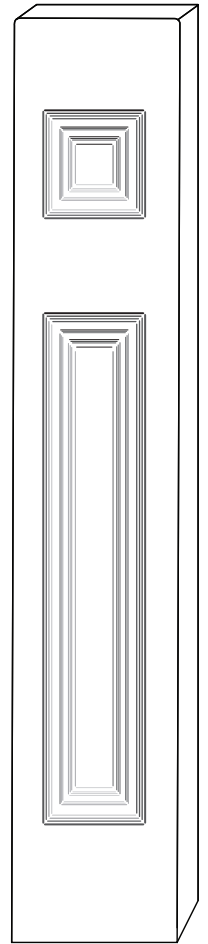
**Recessed Panel**



**Fluted Panel**



**Raised Panel**



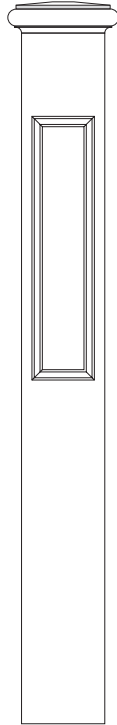
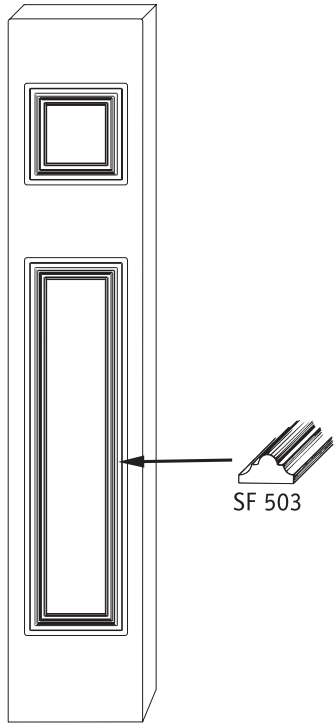
**Recessed Panel  
with Panel Mold**



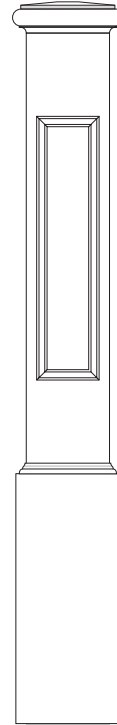
9469 South Bagley Park Road  
West Jordan, Utah 84088  
Phone: 801.280.2182 Fax: 801.280.2183

# Plant-on Newels

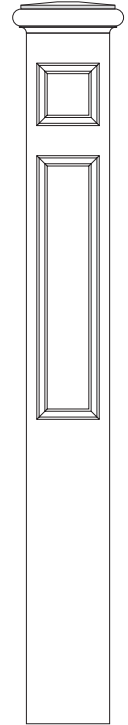
Available in Oak, Maple and Alder.  
Available in other species upon request.



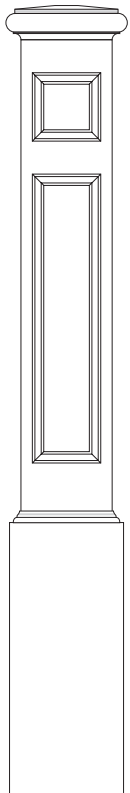
#18



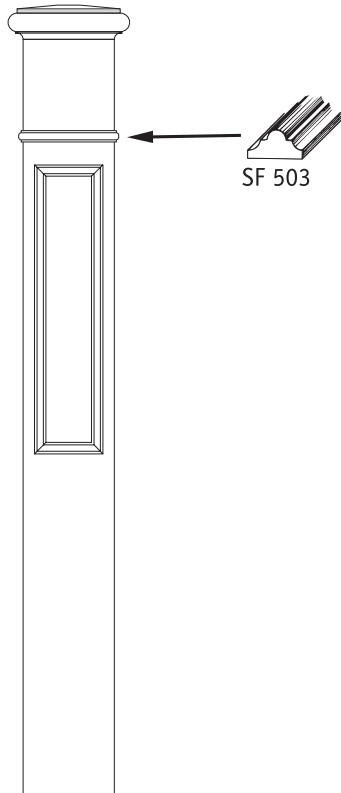
#19



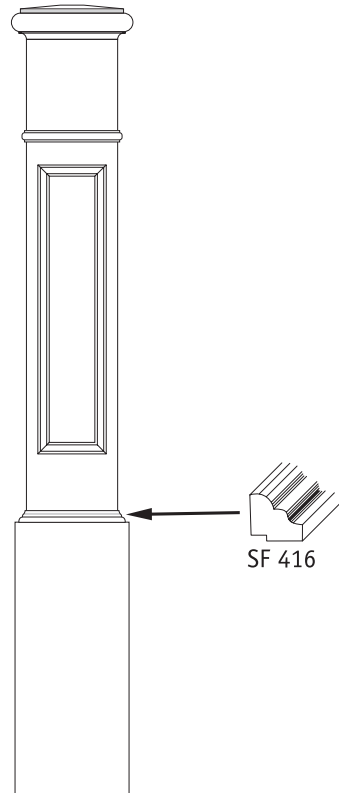
#20



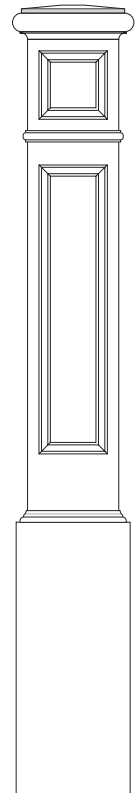
#21



#22



#23



#24

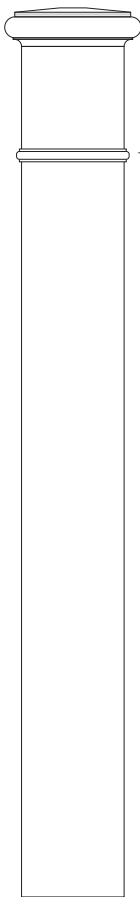




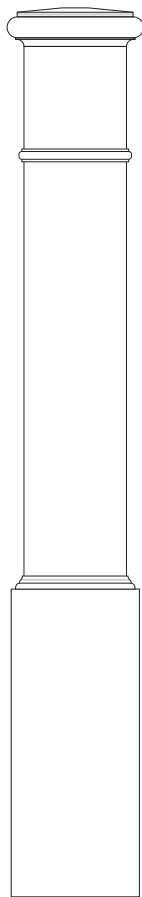
9469 South Bagley Park Road  
West Jordan, Utah 84088  
Phone: 801.280.2182 Fax: 801.280.2183

# Newels

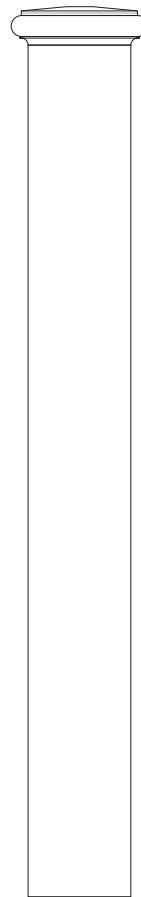
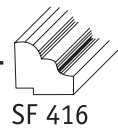
Available in Oak, Maple and Alder.  
Available in other species upon request.



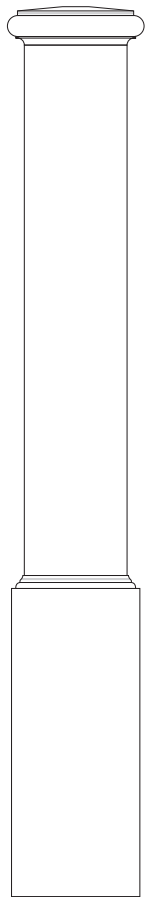
#9



#10



#13



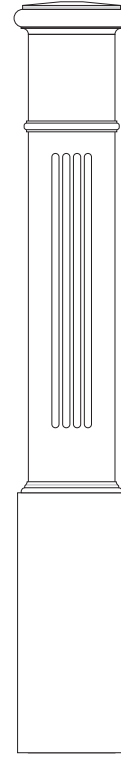
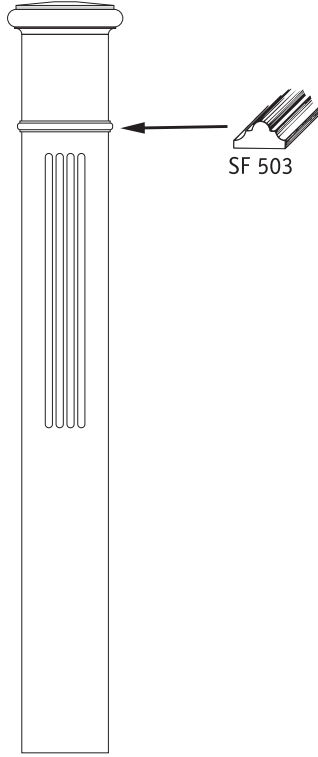
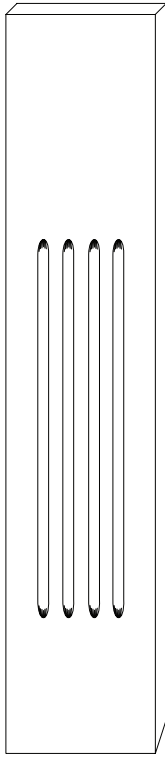
#14



9469 South Bagley Park Road  
West Jordan, Utah 84088  
Phone: 801.280.2182 Fax: 801.280.2183

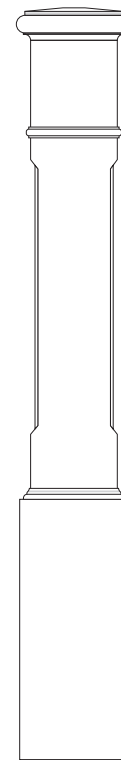
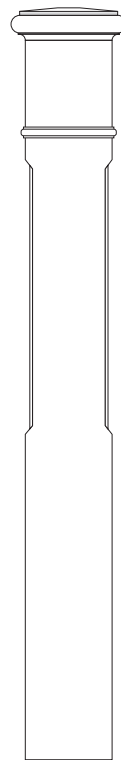
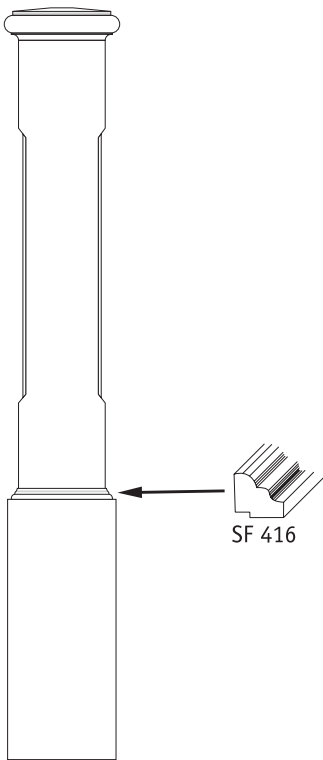
# Fluted & Chamfered Newels

Available in Oak, Maple and Alder.  
Available in other species upon request.



#11

#12



#15

#16

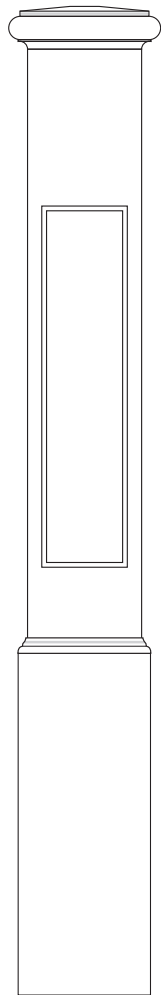
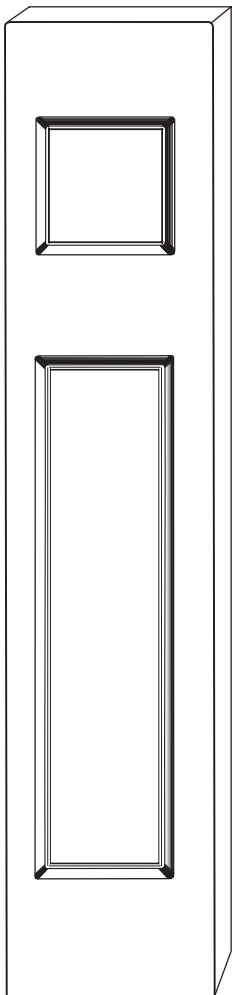
#17



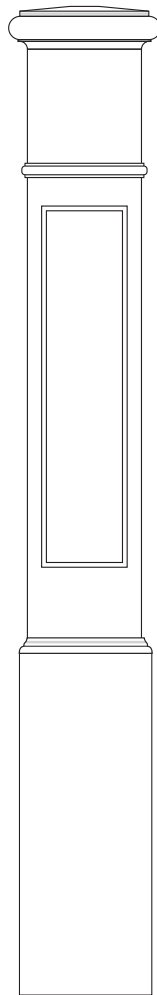
9469 South Bagley Park Road  
West Jordan, Utah 84088  
Phone: 801.280.2182 Fax: 801.280.2183

# Recessed Newels

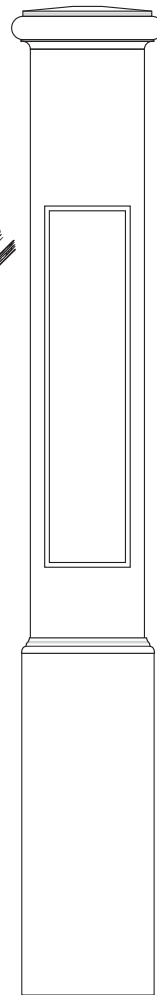
Available in Oak, Maple and Alder.  
Available in other species upon request.



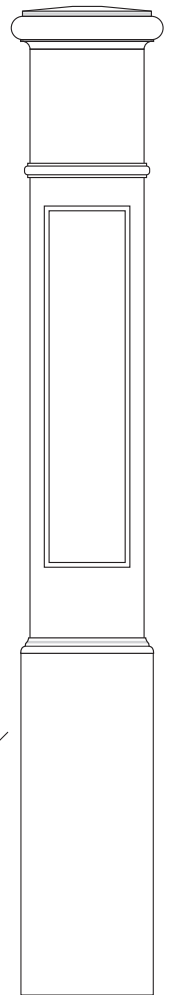
#5



#6



#7



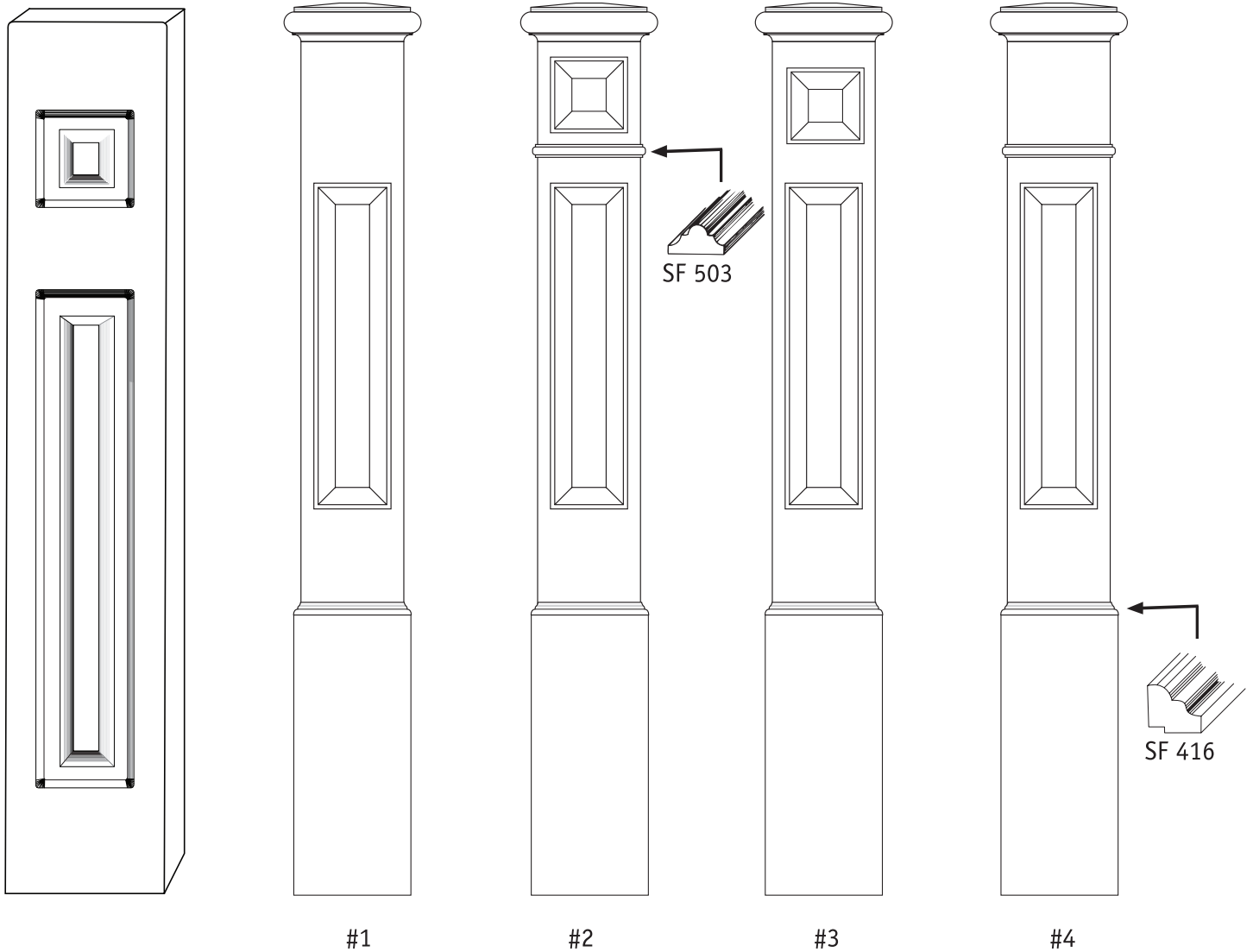
#8



9469 South Bagley Park Road  
West Jordan, Utah 84088  
Phone: 801.280.2182 Fax: 801.280.2183

# Raised Panel Newel

Available in Oak, Maple and Alder.  
Available in other species upon request.

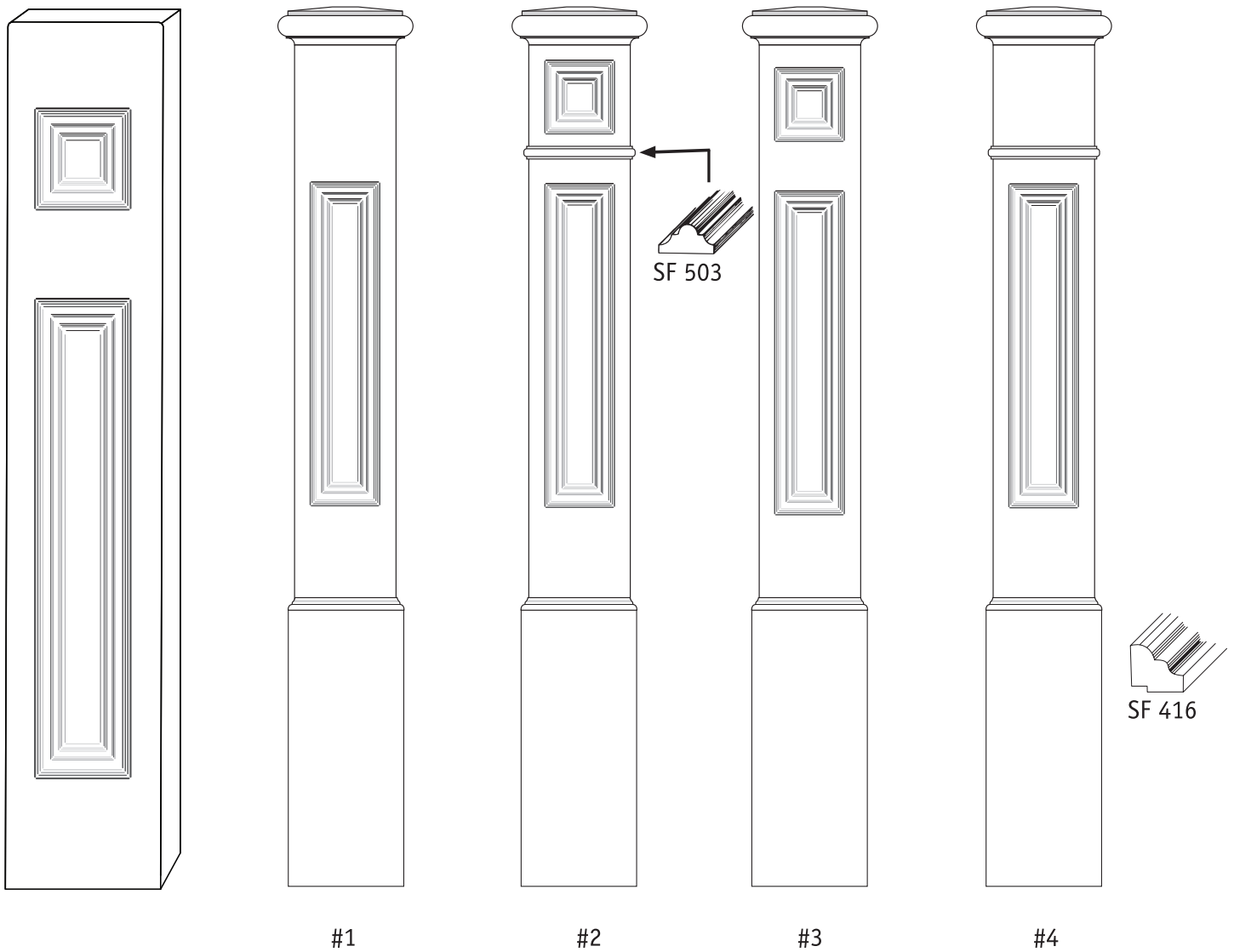




9469 South Bagley Park Road  
West Jordan, Utah 84088  
Phone: 801.280.2182 Fax: 801.280.2183

# Recessed Panel with Panel Mold

Available in Oak, Maple and Alder.  
Available in other species upon request.



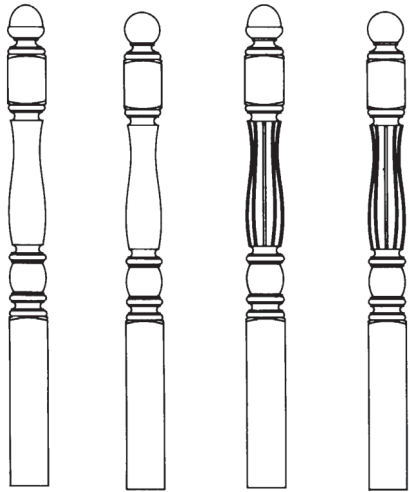


9469 South Bagley Park Road  
 West Jordan, Utah 84088  
 Phone: 801.280.2182 Fax: 801.280.2183

# Turned Newels

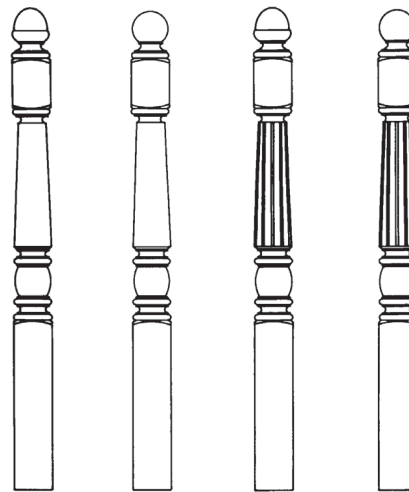
Available in Oak, Maple and Alder.  
 Available in other species upon request.

## URN-SHAPED TURNING

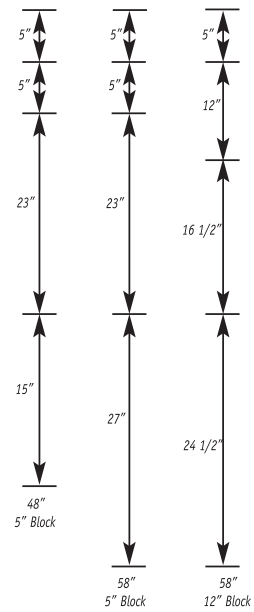


	<b>Acorn Top</b>	<b>Ball Top</b>	<b>Fluted Acorn</b>	<b>Fluted Ball</b>
3":	210A	210B	210FA	210FB
3 1/2":	211A	211B	211FA	211FB
3":	210LBA	210LBB	210LBFA	210LBFB
3 1/2":	211LBA	211LBB	211LBFA	211LBFB

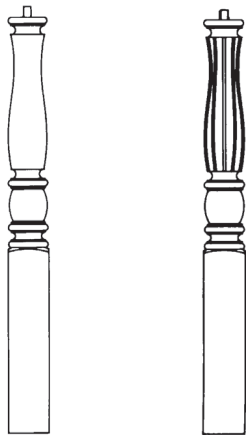
## STRAIGHT TAPERED TURNING



	<b>Acorn Top</b>	<b>Ball Top</b>	<b>Fluted Acorn</b>	<b>Fluted Ball</b>
	220A	220B	220FA	220FB
	221A	221B	221FA	221FB
	220LBA	220LBB	220LBFA	220LBFB
	221LBA	221LBB	221LBFA	221LBFB

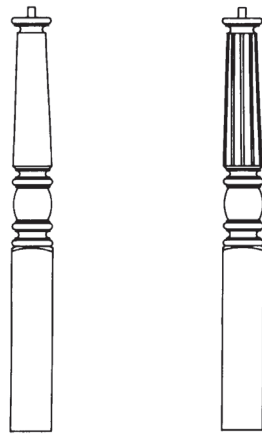


## DOWEL TOP

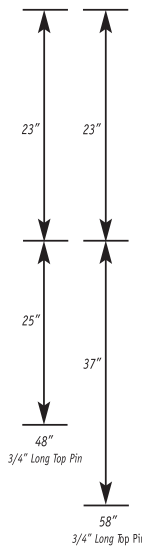


	<b>Dowel Top</b>	<b>Fluted Dowel</b>
3":	210D	210FD
3 1/2":	211D	211FD

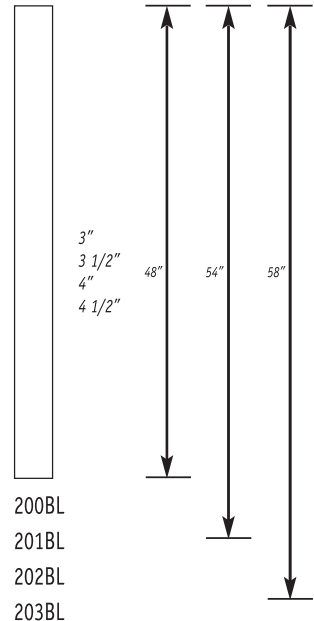
## DOWEL TOP



	<b>Dowel Top</b>	<b>Fluted Dowel</b>
	220D	220FD
	221D	221FD



## NEWEL BLANKS



200BL
201BL
202BL
203BL

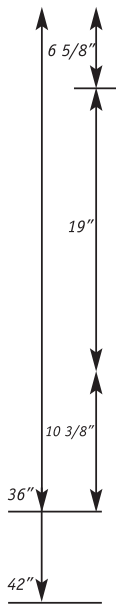
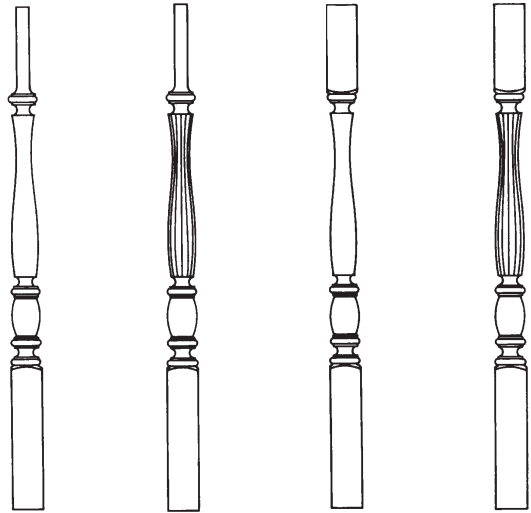


9469 South Bagley Park Road  
 West Jordan, Utah 84088  
 Phone: 801.280.2182 Fax: 801.280.2183

# Balusters

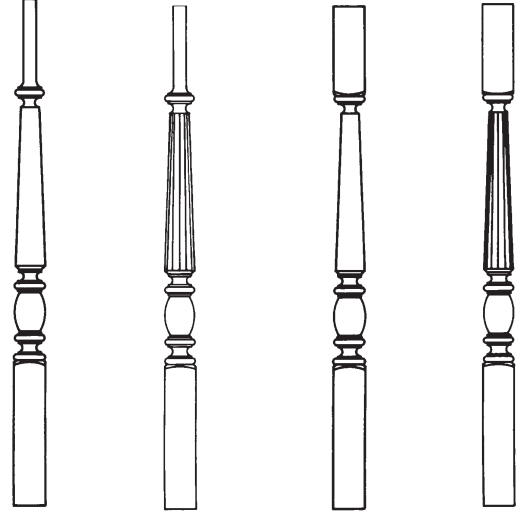
Available in Oak, Maple and Alder.  
 Available in other species upon request.

## URN-SHAPED TURNING



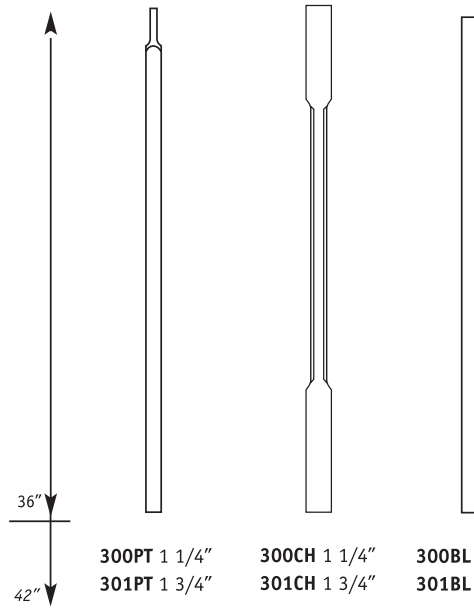
- |                |                         |                   |                          |
|----------------|-------------------------|-------------------|--------------------------|
| <b>Pin-Top</b> | <b>Fluted Round Top</b> | <b>Square Top</b> | <b>Fluted Square Top</b> |
| 310PT 1 1/4"   | 311PT 1 3/4"            | 310ST 1 1/4"      | 311FST 1 3/4"            |
| 311PT 1 3/4"   |                         | 311ST 1 3/4"      |                          |

## STRAIGHT TAPERED TURNING



- |                |                         |                   |                          |
|----------------|-------------------------|-------------------|--------------------------|
| <b>Pin-Top</b> | <b>Fluted Round Top</b> | <b>Square Top</b> | <b>Fluted Square Top</b> |
| 320PT 1 1/4"   | 321PT 1 3/4"            | 320ST 1 1/4"      | 321FST 1 3/4"            |
| 321PT 1 3/4"   |                         | 321ST 1 3/4"      |                          |

## BALUSTER BLANKS, CHAMFERED & PIN TOP BALUSTERS



- |              |              |              |
|--------------|--------------|--------------|
| 300PT 1 1/4" | 300CH 1 1/4" | 300BL 1 1/4" |
| 301PT 1 3/4" | 301CH 1 3/4" | 301BL 1 3/4" |

Available in  
 1 1/4"  
 1 3/4"