

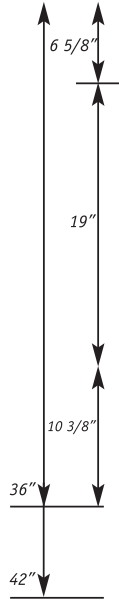
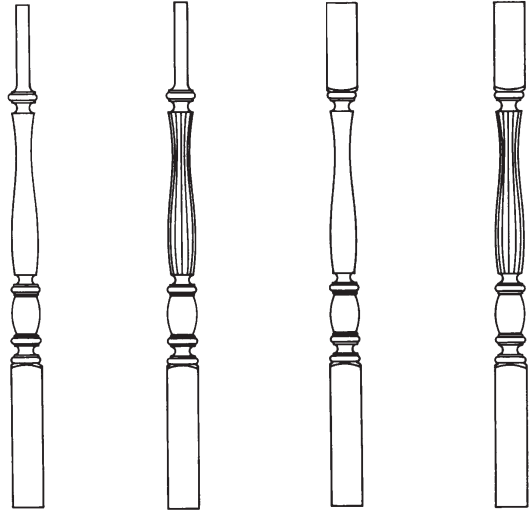


9469 South Bagley Park Road  
 West Jordan, Utah 84088  
 Phone: 801.280.2182 Fax: 801.280.2183

# Balusters

Available in Oak, Maple and Alder.  
 Available in other species upon request.

## URN-SHAPED TURNING



**Pin-Top  
Top**

**Fluted  
Round  
Top**

**Square  
Top**

**Fluted  
Square  
Top**

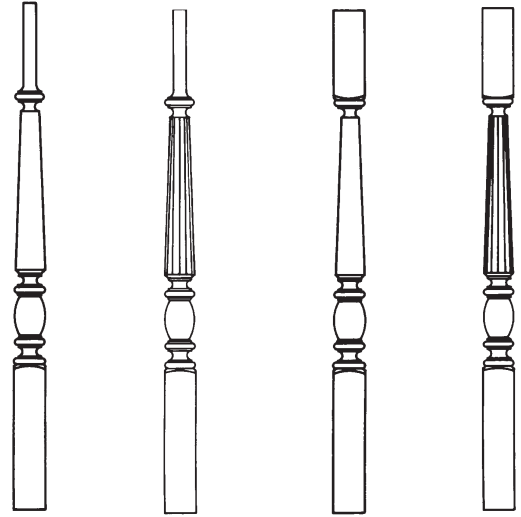
310PT 1 1/4"  
311PT 1 3/4"

311PT 1 3/4"

310ST 1 1/4"  
311ST 1 3/4"

311FST 1 3/4"

## STRAIGHT TAPERED TURNING



**Pin-Top  
Top**

**Fluted  
Round  
Top**

**Square  
Top**

**Fluted  
Square  
Top**

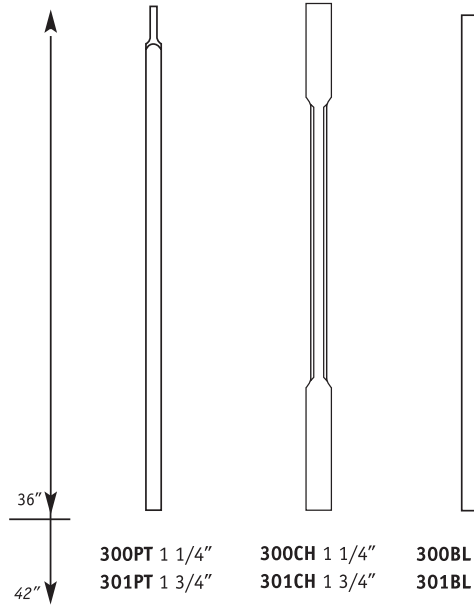
320PT 1 1/4"  
321PT 1 3/4"

321PT 1 3/4"

320ST 1 1/4"  
321ST 1 3/4"

321FST 1 3/4"

## BALUSTER BLANKS, CHAMFERED & PIN TOP BALUSTERS



300PT 1 1/4"  
301PT 1 3/4"

300CH 1 1/4"  
301CH 1 3/4"

300BL 1 1/4"  
301BL 1 3/4"

Available in  
1 1/4"  
1 3/4"